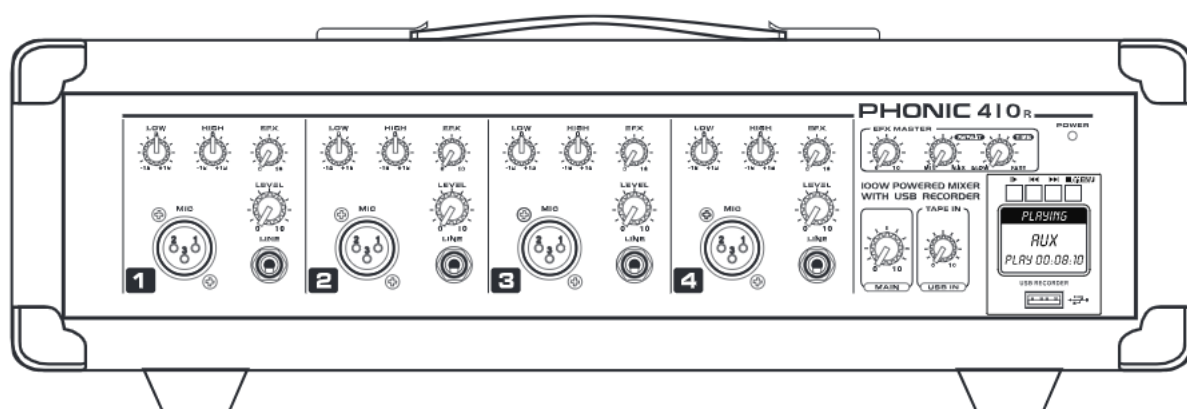


# PHONIC



POWERPOD 410R

WWW.PHONIC.COM

## POWERPOD 410 POWERPOD 410R

- User's Manual
- Manual del Usuario

# POWERPOD 410 POWERPOD 410R

POWERED MIXER  
MEZCLADORA AMPLIFICADA



ENGLISH.....	I
ESPAÑOL.....	II
APPENDIX.....	III

# USER'S MANUAL

## CONTENTS

INTRODUCTION.....	1
FEATURES.....	1
GETTING STARTED.....	1
CHANNEL STRIP DESCRIPTION.....	1
MASTER SECTION DESCRIPTION.....	1
USB RECORDER DESCRIPTION.....	2
REAR PANEL DESCRIPTION.....	2
SPECIFICATIONS.....	3

## APPENDIX

APPLICATIONS.....	1
DIMENSIONS.....	3
BLOCK DIAGRAMS.....	4

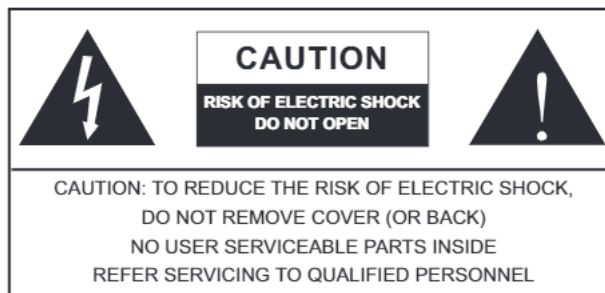
Phonic preserves the right to improve or alter any information within this document without prior notice

## IMPORTANT SAFETY INSTRUCTIONS

The apparatus shall not be exposed to dripping or splashing and that no objects filled with liquids, such as vases, shall be placed on the apparatus. The MAINS plug is used as the disconnect device, the disconnect device shall remain readily operable.

**Warning:** the user shall not place this apparatus in the confined area during the operation so that the mains switch can be easily accessible.

1. Read these instructions before operating this apparatus.
2. Keep these instructions for future reference.
3. Heed all warnings to ensure safe operation.
4. Follow all instructions provided in this document.
5. Do not use this apparatus near water or in locations where condensation may occur.
6. Clean only with dry cloth. Do not use aerosol or liquid cleaners. Unplug this apparatus before cleaning.
7. Do not block any of the ventilation openings. Install in accordance with the manufacturer's instructions.
8. Do not install near any heat sources such as radiators, heat registers, stoves, or other apparatus (including amplifiers) that produce heat.
9. Do not defeat the safety purpose of the polarized or grounding-type plug. A polarized plug has two blades with one wider than the other. A grounding type plug has two blades and a third grounding prong. The wide blade or the third prong is provided for your safety. If the provided plug does not fit into your outlet, consult an electrician for replacement of the obsolete outlet.
10. Protect the power cord from being walked on or pinched particularly at plug, convenience receptacles, and the point where they exit from the apparatus.
11. Only use attachments/accessories specified by the manufacturer.
12. Use only with a cart, stand, tripod, bracket, or table specified by the manufacturer, or sold with the apparatus. When a cart is used, use caution when moving the cart/apparatus combination to avoid injury from tip-over.
13. Unplug this apparatus during lightning storms or when unused for long periods of time.
14. Refer all servicing to qualified service personnel. Servicing is required when the apparatus has been damaged in any way, such as power-supply cord or plug is damaged, liquid has been spilled or objects have fallen into the apparatus, the apparatus has been exposed to rain or moisture, does not operate normally, or has been dropped.



The lightning flash with arrowhead symbol, within an equilateral triangle, is intended to alert the user to the presence of uninsulated "dangerous voltage" within the product's enclosure that may be of sufficient magnitude to constitute a risk of electric shock to persons.



The exclamation point within an equilateral triangle is intended to alert the user to the presence of important operating and maintenance (servicing) instructions in the literature accompanying the appliance.

**WARNING:** To reduce the risk of fire or electric shock, do not expose this apparatus to rain or moisture.

**CAUTION:** Use of controls or adjustments or performance of procedures other than those specified may result in hazardous radiation exposure.



Protective earthing terminal. The apparatus should be connected to a mains socket outlet with a protective earthing connection.

**WARNING:** The terminals marked with symbol of "⚡" may be of sufficient magnitude to constitute a risk of electric shock. The external wiring connected to the terminals requires installation by a qualified person or the use of ready-made leads or cords.

## INTRODUCTION

Congratulations on your purchase of the Phonic Powerpod 410/Powerpod 410R Powered Mixer. The Powerpod 410/Powerpod 410R is built into a rugged wooden cabinet for heavy-duty use. In order to get the best performance from your Powerpod 410/Powerpod 410R, please read all of this safety and operation manual before operating the mixers and keep the manual for future reference.

## FEATURES

- 4 mono input channels for a wide range of Microphone and Line level signals from separate input sockets
- Built-in 200 Watt power amplifier
- Class D circuitry on built-in amplifier
- Built-in Digital Delay
- Super musical 2-band EQ at mono channels
- Record out
- Tape in with level control

## GETTING STARTED

1. Before turning on the power, set the Master output control to the off position.
2. Always turn the power off before connecting or disconnecting cables.
3. Check the AC Voltage before connecting the AC plug.
4. Do not obstruct the back panel at all for proper ventilation.

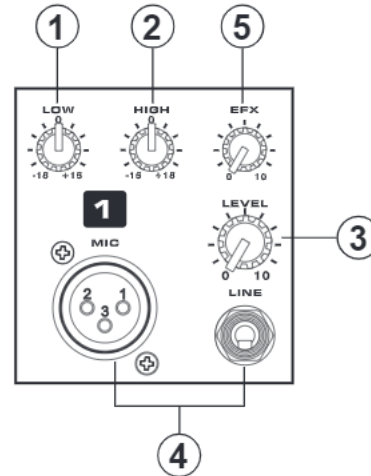
## CHANNEL STRIP DESCRIPTION

### 1. LOW EQ

The control has shelving response giving 15dB of boost or cut at 80Hz. Add warmth to vocals or extra punch to guitars, drums and synths by turning to the right. Turn to the left to reduce stage rumble, hum or to improve a mushy sound.

### 2. HIGH EQ

Turn to the right to boost high frequencies, adding crispness to percussion from drum machines, cymbals and synths. Turn to the left to cut these frequencies, reducing sibilance or hiss. The control has a shelving response giving 15dB of boost or cut at 12kHz.



### 3. LEVEL CONTROL

The Level Control determines the proportion of the channel signal in the mix, and provides a clear visual indication of channel level.

### 4. MIC & LINE INPUT

The MIC input accepts XLR phone jack while the LINE input accepts a 1/4" type phone jack. Please use a low impedance microphone and a properly wired cable for best results. You can only use one of the two connectors at the same time.

### 5. EFFECT

This knob decides the signal level which will be sent to the built-in digital delay effect control.

## MASTER SECTION DESCRIPTION

### 6. DIGITAL DELAY

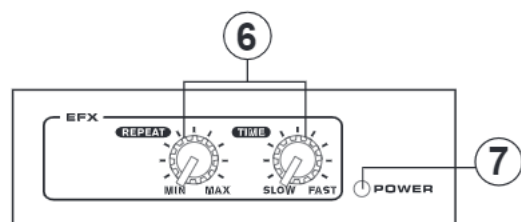
The signal from the input channels, processed by the built-in digital delay will feed to the master output. There are three knobs here to control the effect of digital delay.

**TIME** - This knob adjusts the internal time of the delays; turn to the right to increase the interval time between two delays.

**REPEAT** - To increase the rate of the delays, turn this knob to the right. You will hear the signal repeat at a faster rate.

### 7. POWER INDICATOR

When the power switch at the rear panel is turned on, this indicator will illuminate so the user may be aware of it.



**8. TAPE IN CONTROL**

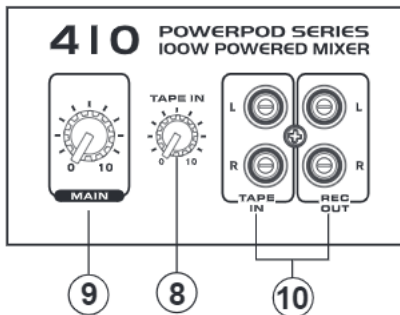
This knob adjusts the level of signal from the Tape In to the Main bus.

**9. MASTER CONTROL**

This adjusts the final level of the Main bus. It controls the Main bus signal which is output to the speakers.

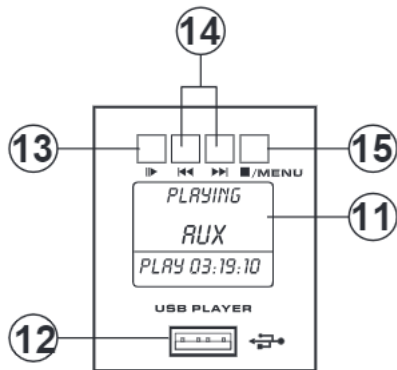
**10. TAPE IN AND REC OUT**

The TAPE IN sockets allow cassette recorders or CD players to be added to the Main output. The RECORD OUTPUT, with RCA phono sockets, provides signal output to a cassette deck and home audio equipment. The nominal output level and impedance are -10dBV/600ohms.



**USB RECORDER DESCRIPTION**

The USB Recorder's source signal is taken directly from each individual input channel. While the recordings are indeed in stereo, they are also limited by the Powerpod 410R's circuitry, which is mono rather than stereo. When playing back a signal, the signal will pass through the USB In control and then is sent directly to the main mix. Playback of WAV, WMA and MP3 with bit rates of up to 320 kbit/s is possible.



**11. DISPLAY**

This display will display the track number currently being played. It also offers play, pause and record indicators as well as the current play/record time.

**12. USB PORT**

Connect your USB flash drive to this input. Once a drive is connected, the files will initiate and the main menu will appear on screen. Users are advised to format their USB memory sticks with the FAT-32 file system.

**13. PLAY BUTTON**

Push this button to start and stop playback and recording of the currently displayed track. Starting a track after it is paused will resume the track from the point at which it was paused (in both record and playback mode). When in recording mode, push and hold this button to finalize recordings.

**14. BACK/NEXT BUTTONS**

Pushing these buttons will allow users to skip back and forwards between tracks. When the menu is activated, these buttons are used to scroll through on screen options.

**15. STOP/MENU BUTTON**

Push this button to stop playback or recording when applicable. Push and hold the button to access the USB recorder/player's main menu.

**REAR PANEL DESCRIPTION**

**16. POWER SWITCH**

This switches the powered mixer on and off. While turn it on, the power on blue LED indicator will light up on the master section of front panel.

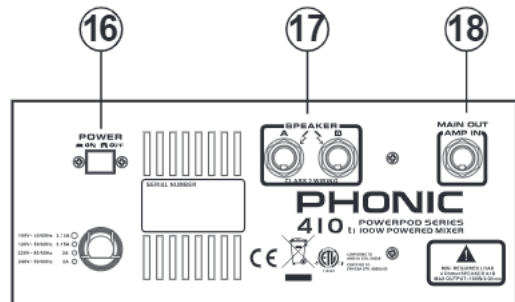
**17. SPEAKER OUTPUT JACKS**

Speakers can be connected to these sockets, two speakers can be connected to the powered mixer. When using 2 speakers at the same time, use 8~16 ohms speakers. When using one speaker only, use a 4~8 ohms speaker. The total minimum required load is 4 ohms. If the total load is less than 4 ohms, it may damage this powered mixer.

**18. MAIN OUT / AMP IN**

This unbalanced insert point is a break between the main out and built-in amplifier to allow the main output to be sent to an external signal processor or power amplifier. The insert is a 1/4" phone jack socket which is normally bypassed. When a jack is inserted, the signal path is broken.

The main output signal appears on the TIP of the plug and the external signal is returned on the RING. A "Y" lead may be required to connect to equipment with separate send and return jacks as shown below:



**SPECIFICATIONS**

	Powerpod 410	Powerpod 410 R
<b>POWER AMP, output power in watts</b>		
Number of Power Channels	1	1
8Ω	130	130
4Ω	200	200
<b>Inputs</b>		
Balanced Mono Mic/Line Channels	4	4
2T Input	1	1
<b>Outputs</b>		
Main Out	TRS, unbal.	TRS, unbal.
<b>Channel Strips</b>		
Volume Controls	Rotary	Rotary
<b>Master Section</b>		
Rotary Fader	Master	Master
<b>Built-in Digital Effect</b>	Digital Delay (2ms-150ms)	Digital Delay (2ms-150ms)
<b>Noise</b> (20Hz to 20KHz bandwidth, line inputs to master output)		
Master Output, all faders down	-86dBu	-86dBu
Power Amp Output, all faders down	-55dBu	-55dBu
<b>THD</b>		
Power Output, 20Hz to 20KHz	@100 watts, 4Ω <0.2%	@100 watts, 4Ω <0.2%
<b>Crosstalk</b> (1KHz @ 0dBu, 20Hz to 20KHz bandwidth, channel in to master output)		
Channel fader down	<-63dB	<-63dB
<b>Frequency Response</b> (Mic input to output)		
20Hz ~ 20KHz, line level o/p @ +4dBu into 600Ω	+1/-3dB	+1/-3dB
20Hz ~ 20KHz, power amp o/p 1 watt into 8Ω	+1/-3dB	+1/-3dB
<b>Sensitivity @ Mixer Output +4dBu</b>		
Mic/Line	-50dBu/-35dBu	-50dBu/-35dBu
Tape in	-6dBu	-6dBu
<b>Channel Equalization</b>		
Low EQ	80Hz	80Hz
Hi EQ	12KHz	12KHz
<b>Microphone Preamp E.I.N.</b> (150 ohms terminated, max. gain)		
	<-122dBm	<-122dBm
<b>USB Recording/Playback</b>		
Recording Format	-	wav
Maximum Playback Bitrate	-	320 kbit/second
<b>Power Consumption</b>		
	110 watts	110 watts
<b>Power Requirements</b>		
	100-120, 220-240 VAC, 50-60 Hz	100-120, 220-240 VAC, 50-60 Hz
<b>Dimensions (WxHxD)</b>		
	440 x 136 x 214 mm (17.32"x5.35"x8.42")	440 x 136 x 214 mm (17.32"x5.35"x8.42")
<b>Weight</b>		
	7.2 kg (15.86 lbs)	7.2 kg (15.86 lbs)



## **SERVICE AND REPAIR**

For replacement parts, service and repairs please contact the Phonic distributor in your country. Phonic does not release service manuals to consumers, and advice users to not attempt any self repairs, as doing so voids all warranties. You can locate a dealer near you at <http://www.phonic.com/where/>.

## **WARRANTY INFORMATION**

Phonic stands behind every product we make with a no-hassles warranty. Warranty coverage may be extended, depending on your region. Phonic Corporation warrants this product for a minimum of one year from the original date of purchase against defects in material and workmanship under use as instructed by the user's manual. Phonic, at its option, shall repair or replace the defective unit covered by this warranty. Please retain the dated sales receipt as evidence of the date of purchase. You will need it for any warranty service. No returns or repairs will be accepted without a proper RMA number (return merchandise authorization). In order to keep this warranty in effect, the product must have been handled and used as prescribed in the instructions accompanying this warranty. Any tampering of the product or attempts of self repair voids all warranty. This warranty does not cover any damage due to accident, misuse, abuse, or negligence. This warranty is valid only if the product was purchased new from an authorized Phonic dealer/distributor. For complete warranty policy information, please visit <http://www.phonic.com/warranty/>.

## **CUSTOMER SERVICE AND TECHNICAL SUPPORT**

We encourage you to visit our online help at <http://www.phonic.com/support/>. There you can find answers to frequently asked questions, tech tips, driver downloads, returns instruction and other helpful information. We make every effort to answer your questions within one business day.

**support@phonic.com**  
**<http://www.phonic.com>**

# **PHONIC**



# MANUAL DEL USUARIO

## CONTENTS

INTRODUCCION.....	1
CARACTERÍSTICAS.....	1
INICIANDO.....	1
DESCRIPCIÓN DE TIRA DE CANAL.....	1
DESCRIPCIÓN DE SECCIÓN MASTER.....	1
DESCRIPCIÓN DE PANEL DE DORSO.....	2
ESPECIFICACIONES.....	3

## APPENDIX

APLICACIONES.....	1
DIMENSIONES.....	3
DIAGRAMAS DE BLOQUE.....	4

Phonic se reserva el derecho de mejorar o alterar cualquier información provista dentro de este documento sin previo aviso.

## INSTRUCCIONES DE SEGURIDAD

1. Lea estas instrucciones antes de operar este aparato.
2. Mantenga este instructivo para futuras referencias.
3. Preste atención a todas las advertencias para asegurar una operación adecuada.
4. Siga todas las instrucciones indicadas en este instructivo.
5. No utilice este aparato cerca del agua o en lugares donde se puedan dar condensaciones.

	<b>PRECAUCION</b> RIESGO DE SHOCK ELECTRICO NO ABRIR	
PRECAUCION: PARA REDUCIR EL RIESGO DE SHOCK ELECTRICO NO REMUEVA LA TAPA (O LA CUBIERTA) NO HAY REFACCIONES DENTRO MANDE A SERVICIO CON EL PERSONAL CALIFICADO		

6. Limpie solamente con lienzos secos. No utilice aerosol ni limpiadores líquidos. Desconecte este aparato antes de limpiarlo.
7. No bloquee ninguna de las aberturas de ventilación. Instale según las instrucciones del fabricante.
8. No lo instale cerca de cualquier fuente de calor como radiadores, registros de calor, estufas, u otro aparato (incluyendo amplificadores) que produzcan calor.
9. No deshaga la opción de seguridad del plug polarizado o aterrizado. Una clavija polarizada tiene dos cuchillas una más grande que la otra. Una clavija del tipo polarizado tiene dos cuchillas y un diente. La cuchilla más ancha o el tercer diente esta incluido para su seguridad. Si esta clavija no se acomoda en su toma corriente, consulte un electricista para que cambie el toma corriente obsoleto.
10. Proteja el cable de electricidad de ser pisado o picado particularmente en la clavija, los receptáculos y en el punto donde estos salgan del aparato. No pise los cables de alimentación de AC.



El símbolo con una flecha encerrado en un triángulo equilátero, es para alertar al usuario de la presencia de "voltaje peligroso" no aislado dentro del chasis del producto que pudiera ser de magnitud suficiente para constituir un riesgo de shock eléctrico a las personas.



El punto de exclamación dentro de un triángulo equilátero es para alertar al usuario de la presencia de instrucciones importantes de operación y mantenimiento (servicio) en la literatura que acompaña el equipo.

11. Utilice solamente accesorios o demás cosas especificadas por el fabricante.
12. Transporte solamente con un carro, pedestal, tripie abrazaderas o mesas especificadas por el fabricante, o incluidas con el aparato. Si se utiliza un carro, tenga precaución cuando mueva el carro con el aparato para evitar lesiones de cualquier tipo.



13. Desconecte este aparato durante tormentas eléctricas o cuando no se ocupe en periodos largos de tiempo.
14. Refiera todo el servicio al personal calificado. Se requiere de servicio cuando el aparato a sido dañado en cualquier manera, por ejemplo cuando el cable de alimentación de voltaje o la clavija han sido dañados, si se ha derramado líquido o si algún objeto a caído en el aparato, o si el aparato ha sido expuesto a la lluvia o a la humedad, no funcione normalmente o si ha sufrido una caída.

**ADVERTENCIA:** Para reducir el riesgo de shock o fuego eléctrico no exponga este aparato a la lluvia o a la humedad.

**PRECAUCION:** No use controles, ajustes, no realice procedimientos diferentes a los especificados, esto puede resultar en una peligrosa exposición a la radiación.



Terminal de puesta a tierra de protección. El aparato debe estar conectado a una toma de corriente con conexión a tierra.

**ADVERTENCIA:** Los bornes marcados con el símbolo de "⚡" puede ser de magnitud suficiente como para constituir un riesgo de descarga eléctrica. El cableado externo conectado a los terminales requiere la instalación por personal calificado o por el uso de cables o cuerdas ya preparado.

# PHONIC

## INTRODUCCION

Felicitaciones por su compra de la Mezcladora Amplificada Powerpod 410 de Phonic. La Powerpod 410 está construida en un gabinete de madera fuerte para uso resistente. Para obtener el mejor rendimiento de su Powerpod 410, lea por favor todo este manual de seguridad y operación antes de operar las mezcladoras y guarde el manual para referencia futura.

## CARACTERISTICAS

- 4 canales de entrada mono para amplio rango de señales de nivel de Micrófono y Línea desde sockets de entrada separados
- Amplificador de potencia a 200 watts integrado
- Circuito de Clase D en amplificador integrado
- Delay Digital Integrado
- EQ de 2-bandas super musical en canales mono
- Salida de grabación
- Entrada de tape con control de nivel

## INICIANDO

1. Antes de encender, setee el control de la salida Master a la posición de apagado.
2. Siempre apague la energía antes de conectar o de desconectar los cables.
3. Chequee el Voltaje AC antes de conectar el enchufe de AC.
4. No obstruya el panel dorsal para una ventilación apropiada.

## DESCRIPCIÓN DE TIRA DE CANAL

### 1. EQ BAJO

El control tiene respuesta shelving dando 15dB de alza o corte en 80Hz. Agrega calidez a los vocales o fuerza extra a las guitarras, tambores y sintetizadores girando a la derecha. Gire hacia la izquierda para reducir el ruido de escenario, zumbido o para mejorar el sonido flojo.

### 2. EQ ALTO

Gire a la derecha para alzar las frecuencias altas, agregando claridad a la percusión de las máquinas de tambor, los platillos y los sintetizadores. Gire a la izquierda para cortar estas frecuencias, reduciendo carácter sibilante o silbido. El control tiene una respuesta shelving dando 15dB de aumento o del corte en 12 kHz.

### 3. CONTROL DE NIVEL

El Control de Nivel determina la proporción de la señal del canal en la mezcla y, proporciona una indicación visual clara del nivel de canal.

### 4. ENTRADA DE MIC & LÍNEA

La entrada de MIC acepta jack de audífono XLR y la entrada de LÍNEA acepta un jack de audífono de 1/4". Por favor utilice un micrófono de baja impedancia y cable apropiado para los mejores resultados. Usted puede utilizar solamente uno de los dos conectadores al mismo tiempo.

### 5. EFECTO

Esta perilla decide el nivel de señal que será enviado al control digital incorporado del efecto delay.

## DESCRIPCIÓN DE SECCIÓN MASTER

### 6. DELAY DIGITAL

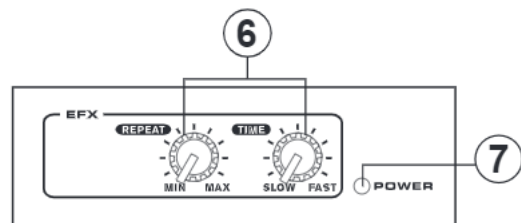
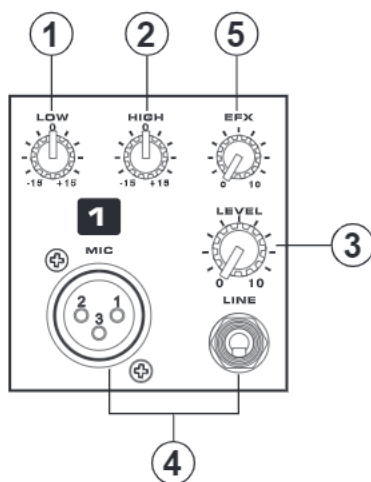
La señal de los canales de entrada, procesada por el delay digital incorporado alimentará a la salida master. Hay tres perillas aquí para controlar el efecto del delay digital.

**TIME** - Esta perilla ajusta el tiempo interno de los retardos; gire a la derecha para aumentar el tiempo del intervalo entre dos retardos.

**REPEAT** - Para aumentar la tasa de los retardos, gire esta perilla a la derecha. Usted oír la repetición de la señal a una velocidad más rápida.

### 7. INDICADOR DE ENERGÍA

Cuando el interruptor de energía en el panel de dorso está encendido, este indicador se iluminará de este modo el usuario puede estar informado de eso.



**8. CONTROL DE ENTRADA TAPE**

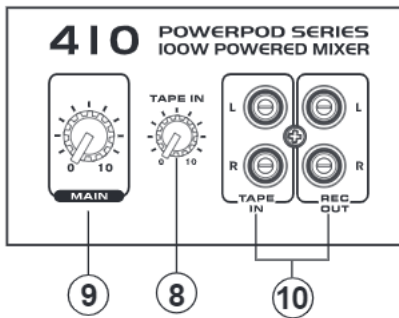
Esta perilla ajusta el nivel de señal de Entrada Tape a bus Principal.

**9. CONTROL MASTER**

Esto ajusta el nivel final del bus Principal. Controla la señal del bus Principal que se sale a los altavoces.

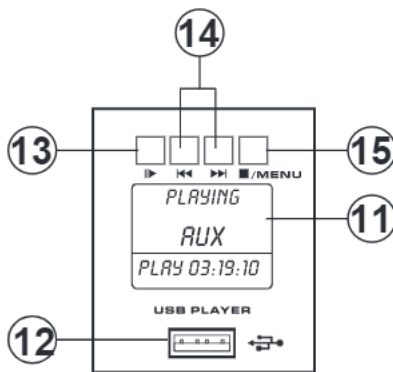
**10. ENTRADA TAPE Y SALIDA REC**

Los sockets de la ENTRADA TAPE permiten que las grabadoras de cassette o reproductores de CD sean agregados a la salida Principal. La SALIDA de GRABACIÓN, con sockets de phono RCA, proporciona salida de señal a un cassette deck y equipo de audio casero. El nivel de salida nominal y la impedancia son -10dBV/600 ohms.



**GRABADOR USB**

La señal fuente de grabador USB se toma directamente de la mezcla principal antes de ser recortado/alzado por el control de nivel principal. Si bien las grabaciones son de hecho en estéreo, están también limitadas por el circuito de Powerpod 410R, que es dual-mono en lugar de estéreo. Al reproducir una señal, la señal pasará a través del control trim USB y luego se envía directamente a la mezcla principal. La reproducción de archivos WAV, WAM y MP3 es posible con velocidades de hasta 320 kbit/s.



**11. Display**

Este display mostrará el número de pista que se está reproduciendo en el momento. También ofrece indicadores de reproducción, pausa y grabación.

**12. Puerto USB**

Conecte su dispositivo flash USB a esta entrada. Una vez que el dispositivo está conectado, los archivos se iniciarán y en la pantalla. Los usuarios están avisados formatear sus llaves USB con el sistema de archivos FAT-32

**13. Botón Play/Pause (Reproducir/Pausa)**

Pulse este botón para iniciar y detener la reproducción y grabación de la pista que se muestra actualmente. Comenzar una pista después de que se detuvo se reanudará la pista desde el punto en que se realizó la pausa (en ambos grabación y reproducción). Cuando está en modo de grabación, pulse y mantenga presionado este botón para finalizar las grabaciones.

**14. Botones Back/Next (Anterior/Siguiente)**

Al pulsar estos botones permitirán a los usuarios saltar hacia atrás y hacia adelante entre las pistas. Cuando el menú esta activado, estos botones son utilizados para navegar en la pantalla de las opciones.

**15. STOP/MENU BUTTON**

Pulse este botón para acceder detener la reproducción y grabación. Mantengan pulsado este botón para acceder al menú principal USB.

**DESCRIPCIÓN DE PANEL DE DORSO**

**16. INTERRUPTOR DE ENERGÍA**

Este interruptor enciende y apaga la mezcladora amplificada. Cuando está encendido, la energía en el indicador azul de LED se encenderá en la sección master del panel frontal.

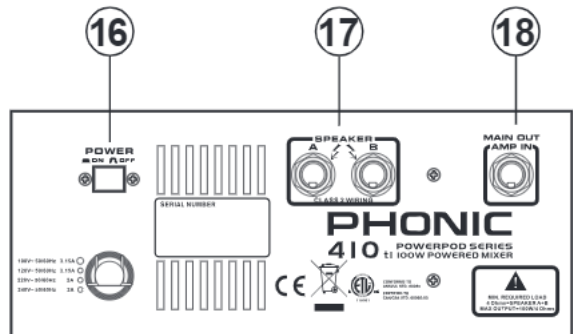
**17. JACKS DE SALIDA DE ALTAVOZ**

Los altavoces pueden ser conectados a estos zócalos, dos altavoces pueden ser conectados a la mezcladora amplificada. Cuando se usa 2 altavoces al mismo tiempo, utilice altavoces de 8~16 ohms. Cuando se usa un altavoz solamente, utilice un altavoz de 4~8 ohms. La carga requerida mínima total es de 4 ohms. Si la carga total es menos de 4 ohms, puede dañar esta mezcladora amplificada.

**18. SALIDA MAIN / ENTRADA AMP**

Este punto de insert desbalanceado es una rotura entre la salida principal y el amplificador integrado para permitir que la salida principal sea enviada a un procesador de señal externo o a un amplificador de potencia. El insert es un zócalo de jack de audifono de 1/4" que se bypass normalmente. Cuando un jack es insertado, la ruta de la señal está interrumpida.

La señal de salida principal aparece en el TIP del enchufe y la señal externa es retornada en RING. Un conductor "Y" puede ser requerido para conectar al equipo con jacks de envío y retorno separados como se muestra abajo:



## ESPECIFICACIONES

	Powerpod 410	Powerpod 410R
<b>AMP DE POTENCIA, energía en watts</b>		
Número de canales de energía	1	1
8Ω	130	130
4Ω	200	200
<b>Entradas</b>		
Canales balanceados mono de Mic/Línea	4	4
Entrada 2T	1	1
<b>Salidas</b>		
Salida principal	TRS, desbalanceada	TRS, desbalanceada
<b>Tiras de Canal</b>		
Controles de Volumen	Giratorios	Giratorios
<b>Sección Master</b>		
Fader Giratorio	Master	Master
Efecto Digital Integrado	Delay Digital (2ms – 150ms)	Delay Digital (2ms – 150ms)
<b>Ruido</b> (ancho de banda 20Hz a 20KHz, entradas de línea a salida master)		
Salida master, todos los faders bajo	86dBu	-86dBu
Salida de amplificador de potencia, todos los faders bajo	55dBu	-55dBu
<b>THD</b>		
Salida de energía, 20Hz a 20KHz	@100 watts, 4Ω < 0.2%	@100 watts, 4Ω < 0.2%
<b>Crosstalk</b> (1KHz @ 0dBu, 20Hz a 20KHz ancho de banda, entrada de canal a salida master)		
Fader de canal bajo	<-63dB	<-63dB
<b>Respuesta en Frecuencia</b> (entrada de Mic a salida)		
20Hz ~ 20KHz, nivel de línea o/p @ +4dBu en 600Ω	+1/-3dB	+1/-3dB
20Hz ~ 20KHz, amp de potencia o/p 1 watt en 8Ω	+1/-3dB	+1/-3dB
<b>Sensibilidad @ salida de mezcladora +4 dBu</b>		
Mic / Línea	-50dBu/-35dBu	-50dBu/-35dBu
Entrada de tape	-6dBu	-6dBu
<b>Ecuación de Canal</b>		
EQ Bajo	80Hz	80Hz
EQ Alto	12KHz	12KHz
<b>Preamplificador de Micrófono E.I.N.</b> (150 ohms terminado, ganancia máx.)		
	<-122dBm	<-122dBm
<b>USB Recording/Playback</b>		
Recording Format	-	wav
Maximum Playback Bitrate	-	320 kbit/second
<b>Consumo de Energía</b>		
	110 watts	110 watts
<b>Requisitos de Energía</b>		
	100-120, 220-240 VAC, 50-60 Hz	100-120, 220-240 VAC, 50-60 Hz
<b>Dimensiones (An x Al x P)</b>		
	440.0 x 136.0 x 214.0mm (17.32"x5.35"x8.42")	440.0 x 136.0 x 214.0mm (17.32"x5.35"x8.42")
<b>Peso</b>		
	7.2 kg (15.86 lbs)	7.2 kg (15.86 lbs)



## **SERVICIO Y REPARACIÓN**

Para refacciones de reemplazo y reparaciones, por favor póngase en contacto con nuestro distribuidor de Phonic en su país. Phonic no distribuye manuales de servicio directamente a los consumidores y, avisa a los usuarios que no intenten hacer cualquier reparación por sí mismo, haciendo ésto invalidará todas las garantías del equipo. Puede encontrar un distribuidor cerca de usted en <http://www.phonic.com/where/>.

## **INFORMACIÓN DE LA GARANTÍA**

Phonic respalda cada producto que hacemos con una garantía sin enredo. La cobertura de garantía podría ser ampliada dependiendo de su región. Phonic Corporation garantiza este producto por un mínimo de un año desde la fecha original de su compra, contra defectos en materiales y mano de obra bajo el uso que se instruya en el manual del usuario. Phonic, a su propia opinión, reparará o cambiará la unidad defectuosa que se encuentra dentro de esta garantía. Por favor, guarde los recibos de venta con la fecha de compra como evidencia de la fecha de compra. Va a necesitar este comprobante para cualquier servicio de garantía. No se aceptarán reparaciones o devoluciones sin un número RMA apropiado (return merchandise authorization). En orden de tener esta garantía válida, el producto deberá de haber sido manejado y utilizado como se describe en las instrucciones que acompañan esta garantía. Cualquier atentado hacia el producto o cualquier intento de repararlo por usted mismo, cancelará completamente esta garantía. Esta garantía no cubre daños ocasionados por accidentes, mal uso, abuso o negligencia. Esta garantía es válida solamente si el producto fue comprado nuevo de un representante/distribuidor autorizado de Phonic. Para la información completa acerca de la política de garantía, por favor visite <http://www.phonic.com/warranty/>.

## **SERVICIO AL CLIENTE Y SOPORTE TÉCNICO**

Le invitamos a que visite nuestro sistema de ayuda en línea en [www.phonic.com/support/](http://www.phonic.com/support/). Ahí podrá encontrar respuestas a las preguntas más frecuentes, consejos técnicos, descarga de drivers, instrucciones de devolución de equipos y más información de mucho interés. Nosotros haremos todo el esfuerzo para contestar sus preguntas lo antes posible.

**support@phonic.com**  
**<http://www.phonic.com>**

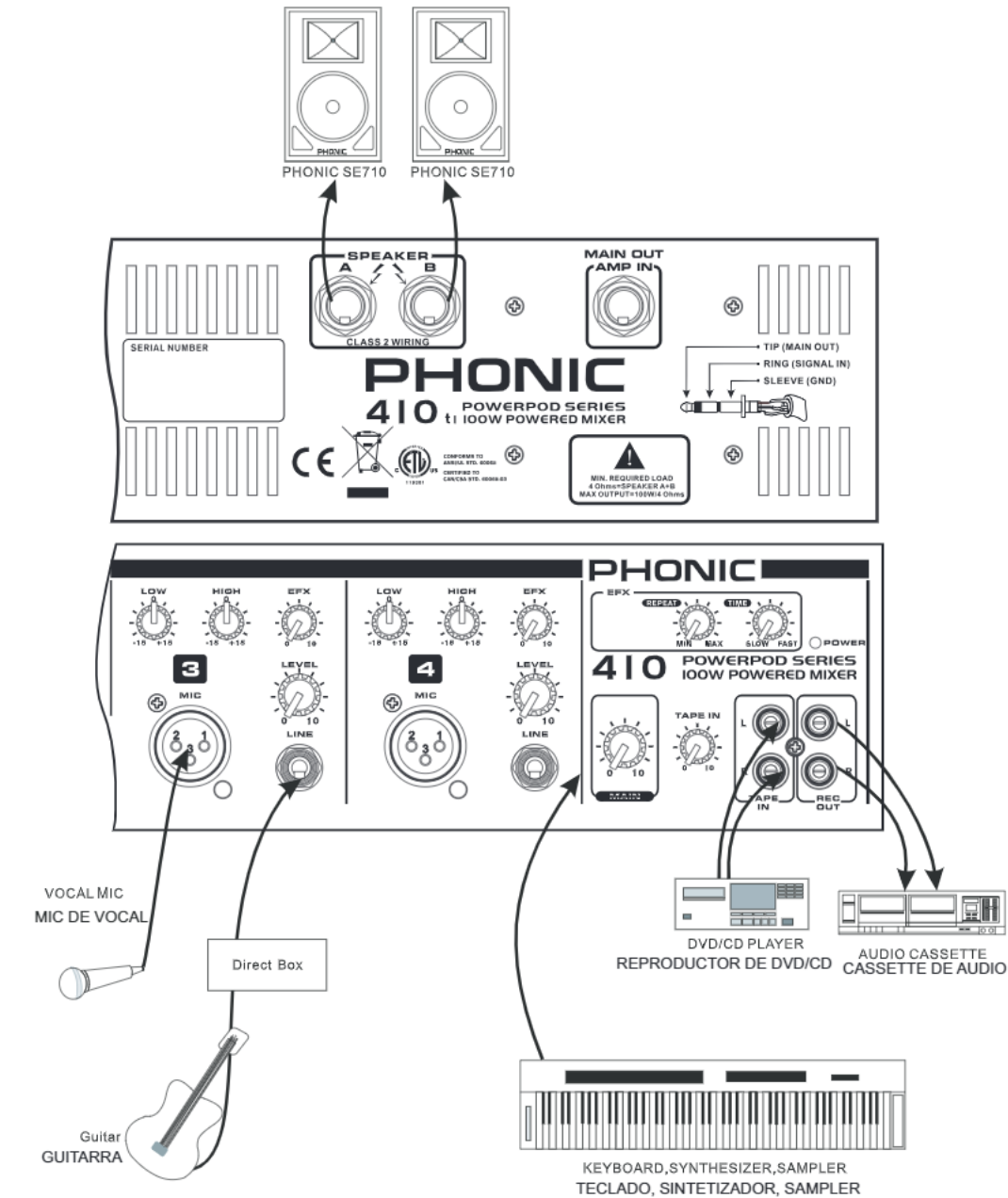
# **PHONIC**

APPLICATION APLICACIÓN

GENERAL APPLICATION  
 APLICACIÓN GENERAL

SPEAKERS ALTAVOCES

FRONT OF HOUSE SPEAKERS  
 ALTAVOCES DE FRONT OF HOUSE



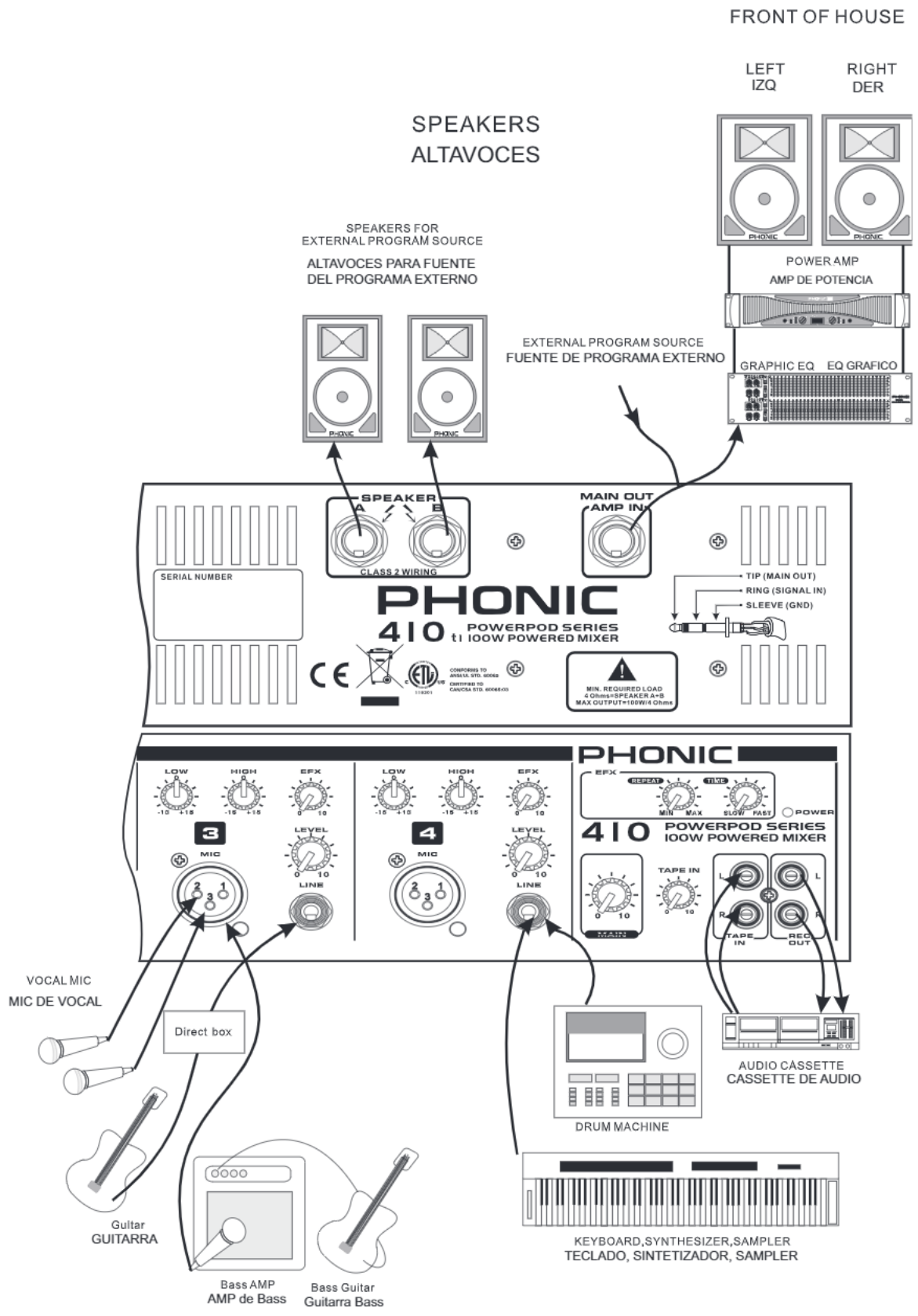
MIC LEVEL SOURCES  
 FUENTES DE NIVEL DE MIC

LINE LEVEL SOURCE  
 FUENTE DE NIVEL DE LINEA

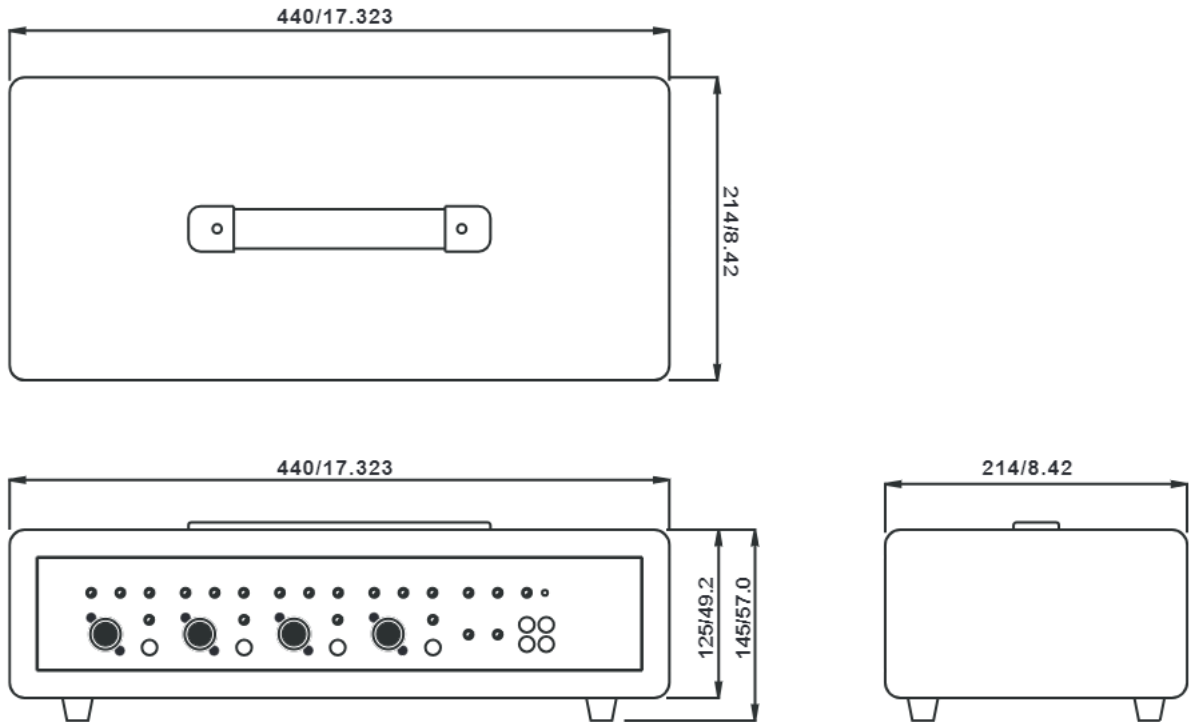


LIVE BAND WITH ADDITIONAL AMPLIFIER  
 BANDA EN VIVO CON AMPLIFICADOR ADICIONAL

Appendix  
 Apéndice



DIMENSIONS DIMENSIONES

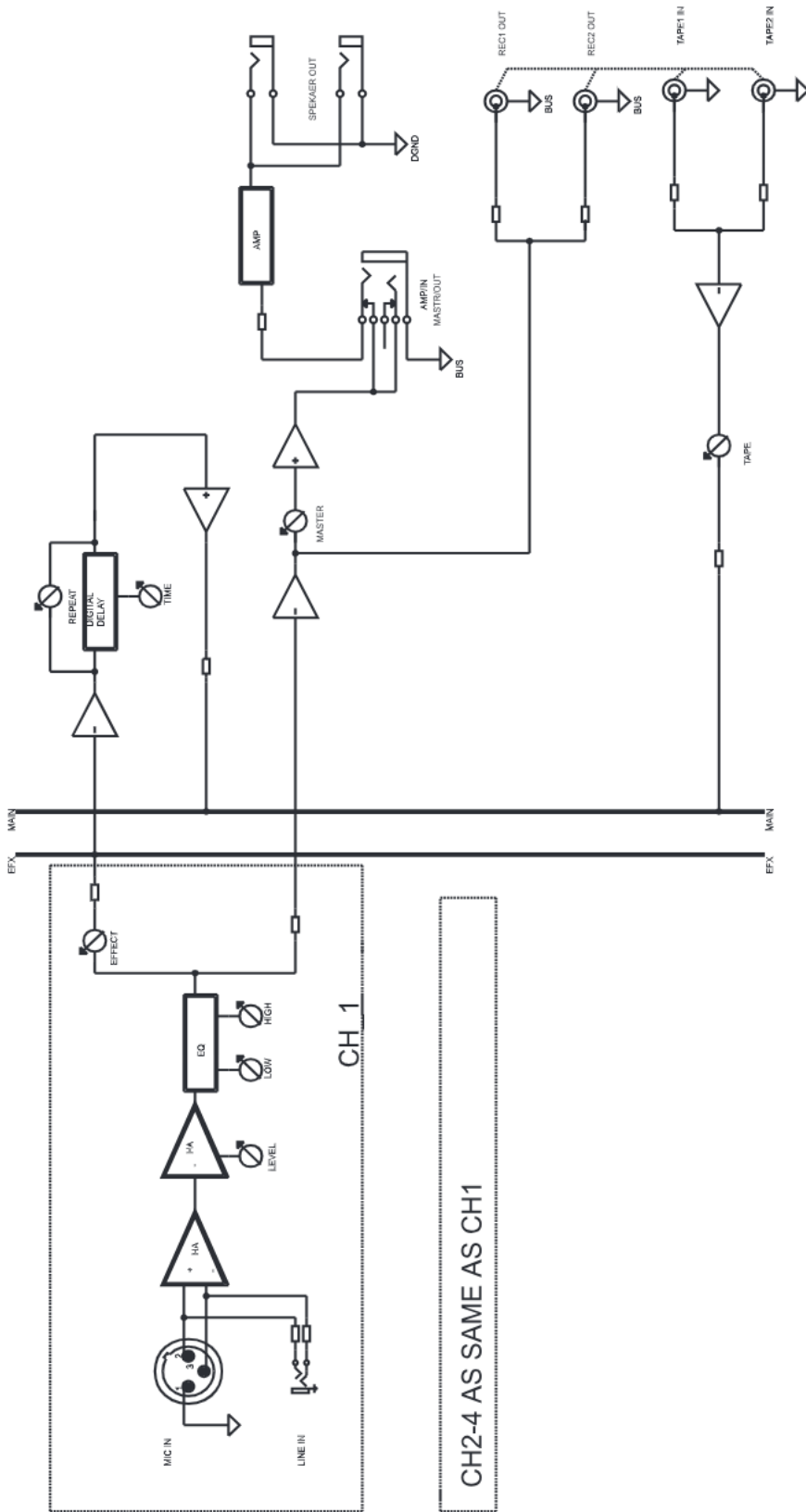


measurements are shown in mm/inches  
Todas las medidas están mostradas en mm/pulgadas.

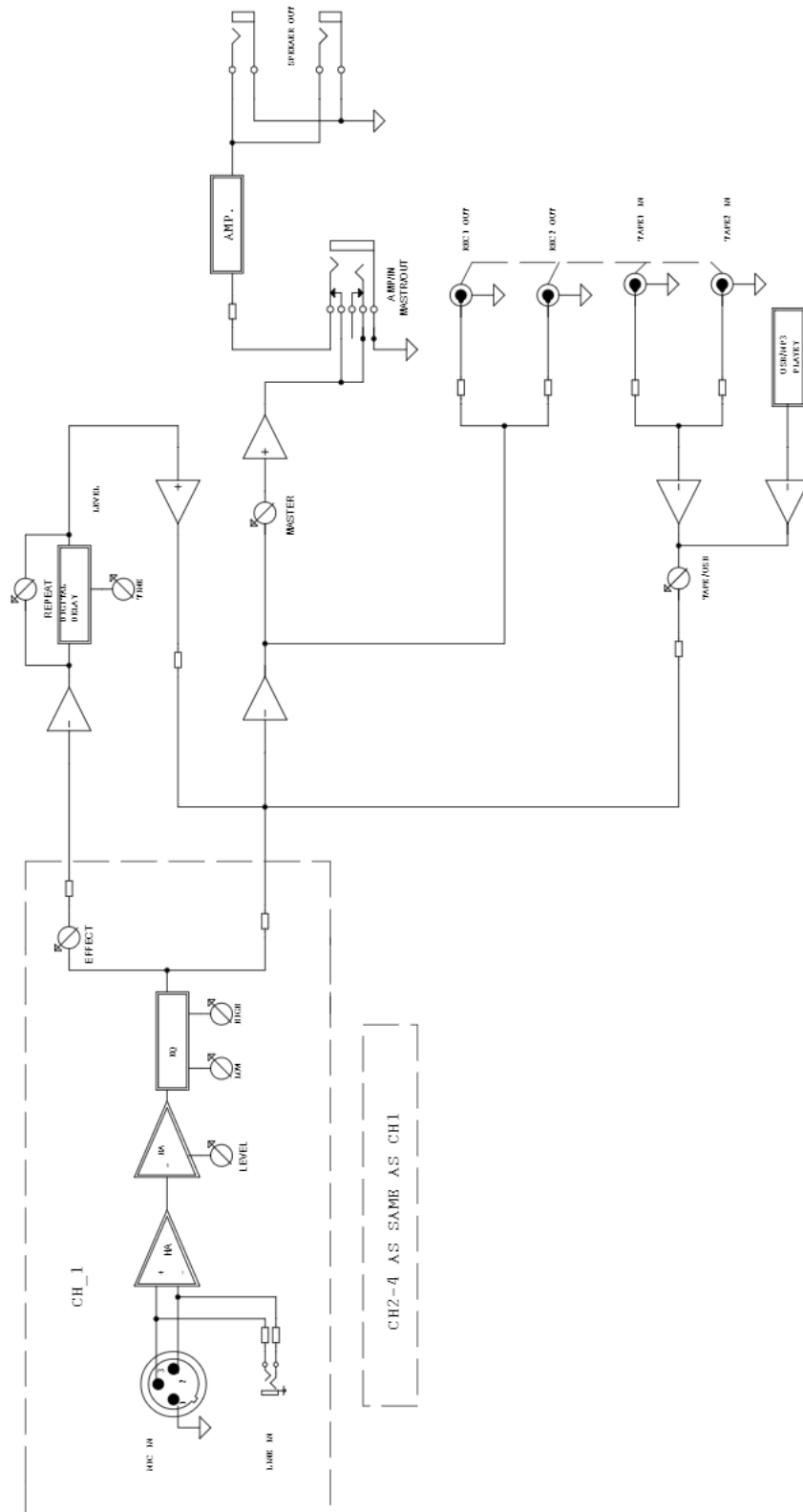
BLOCK DIAGRAM    DIAGRAMA DE BLOQUE

POWERPOD 410

Appendix  
 Apéndice



POWERPOD 410R



**PHONIC**  
[WWW.PHONIC.COM](http://WWW.PHONIC.COM)

